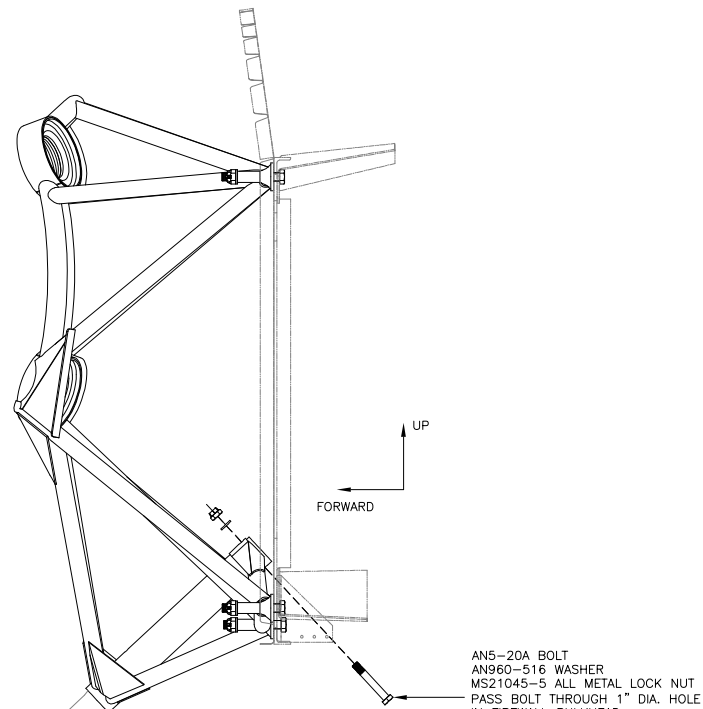


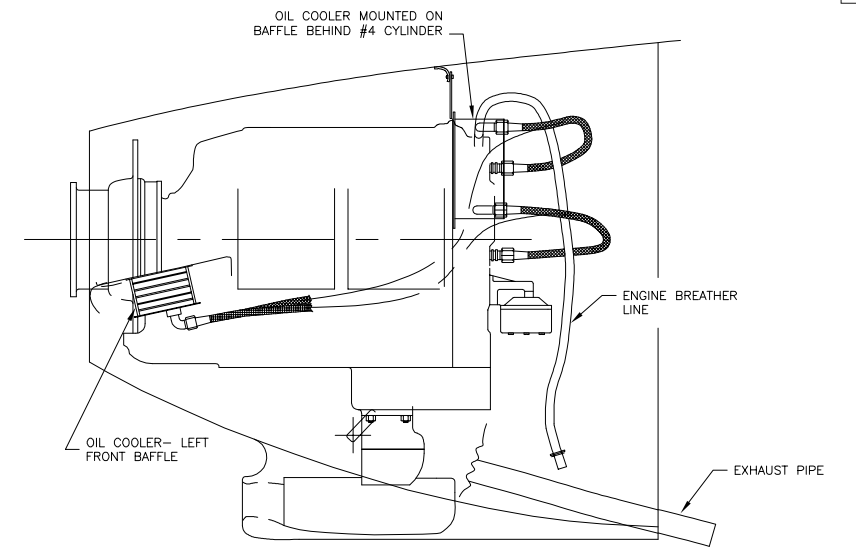
TYPE I DYNAFOCAL ENGINE MOUNT

1/4 SCALE  
SOME FIREWALL DETAILS OMITTED FOR CLARITY  
(TYPE II DYNAFOCAL AND CONICAL MOUNTS SIMILAR)



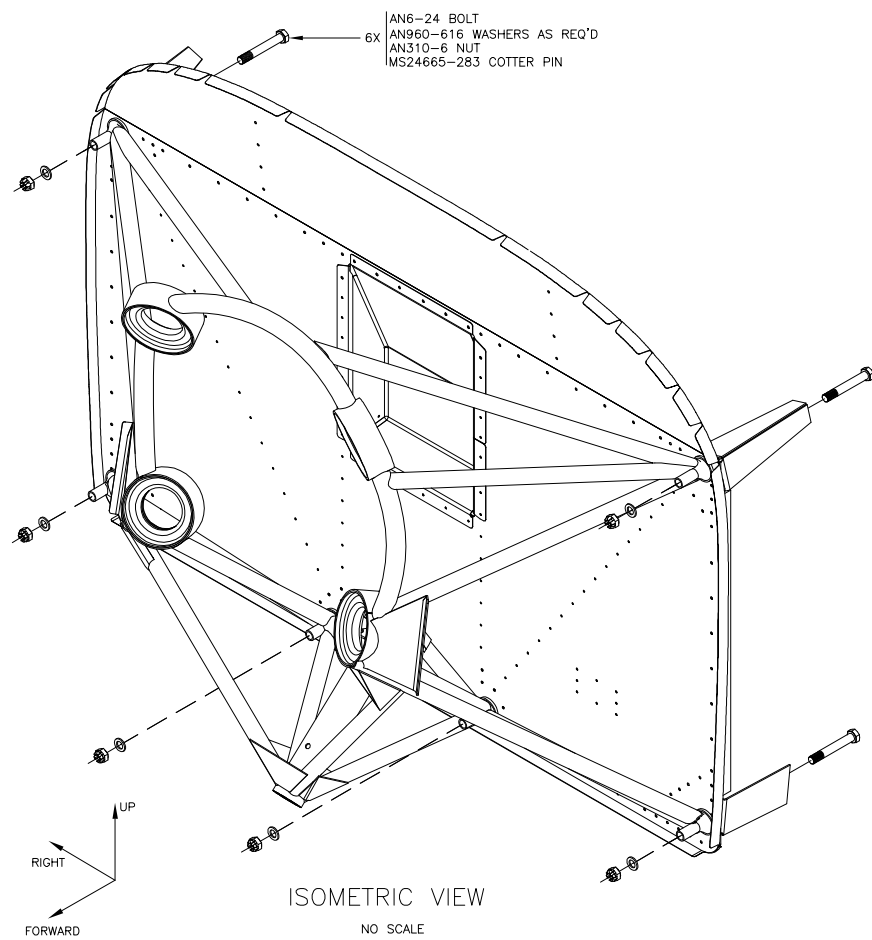
SIDE VIEW

1/4 SCALE



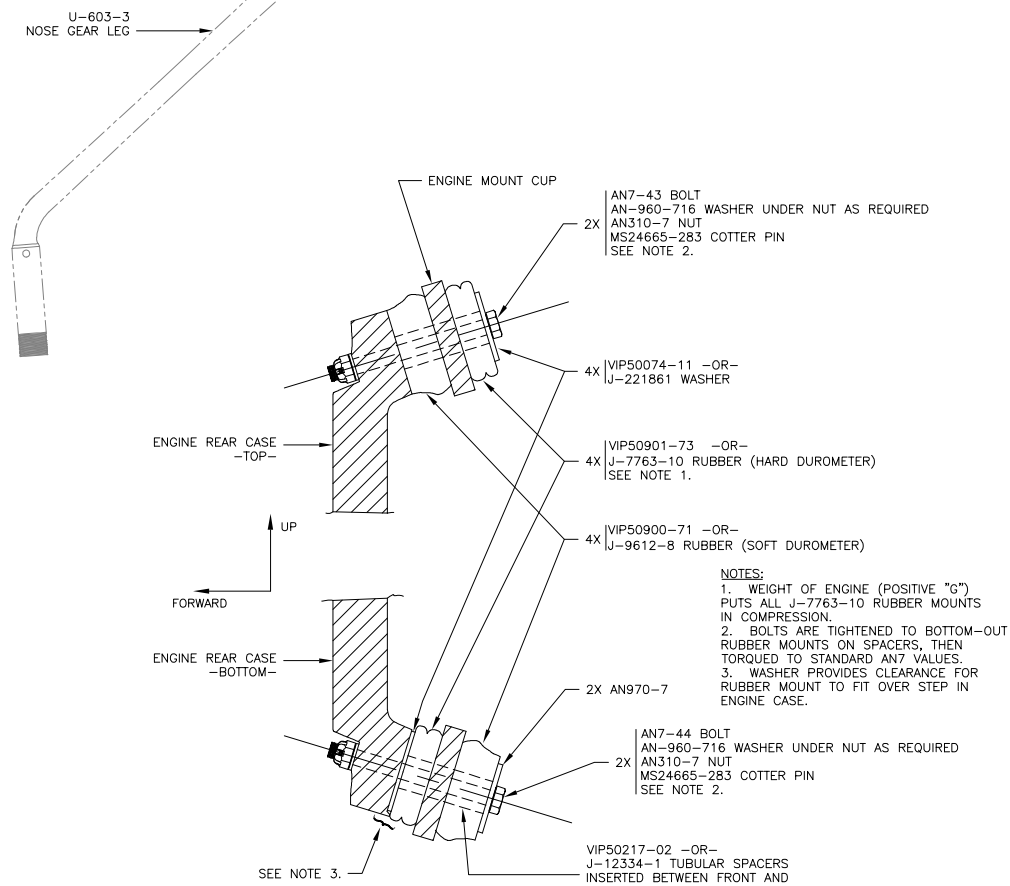
OIL COOLER PLACEMENT

MANY VARIATIONS POSSIBLE, NO SCALE



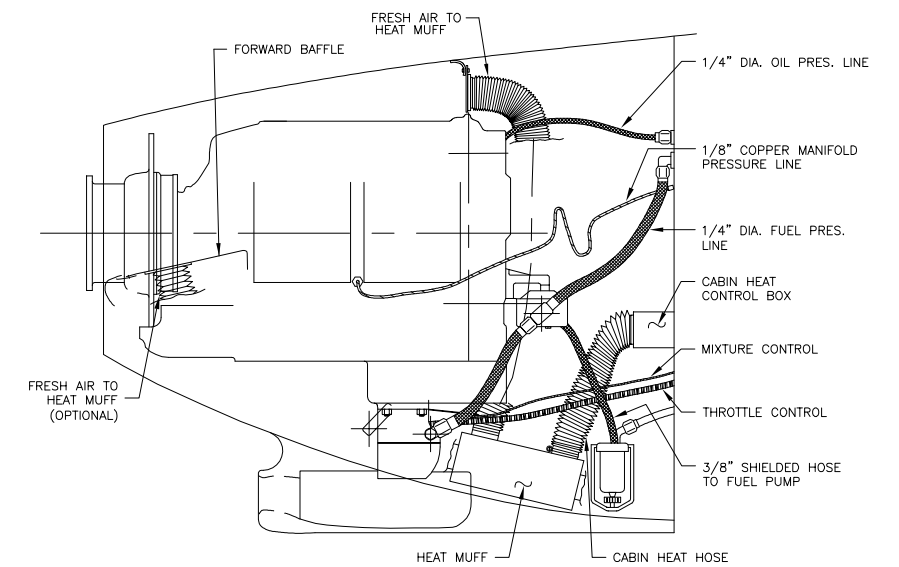
ISOMETRIC VIEW

NO SCALE



TYPICAL INSTALLATION OF DYNAFOCAL MOUNTING KIT

SIDE VIEW, NO SCALE



TYPICAL ENGINE INSTALLATION

MANY VARIATIONS POSSIBLE, NO SCALE

R2	REPLACED MS24665-20B WITH MS24665-283 ZONE DB	12/05/08
R1	CHANGED DRAWING NAME 46A WAS 46	4/3/01
		14401 NE KEL RD. AURORA, OR 97002 USA
VAN'S AIRCRAFT, INC.		
ENGINE/NOSE GEAR MOUNT		
DATE DRAWN: 12/12/00	UNITS: INCHES	RV-6A,7A,9A
DRAWN BY: MICHAEL SCHWARTZ	SCALE: AS NOTED	D-SIZE ORIGINAL
TOLERANCES: NONE (UNLESS OTHERWISE SPECIFIED)	PATH\FILENAME: Q:\RV-6\ZOTHER\PLANS\RV6A,7A,9A-46A.DWG	
		DWG 46A