

NOTE: If you have purchased the optional Firewall Forward kit from Van's Aircraft, it is easier to complete Pages FF1-2 and FF1-3 of the Engine Installation section now, before the WD-1001-D1 Dyna-1 Engine Mount is installed.

Step 1: Using a 3/8" bit, final-drill one of the two 3/16" holes in the top of the Firewall Assembly common to the WD-1001-D1 Dyna-1 Engine Mount. Be sure to drill perpendicular to the vertical face of the Firewall Assembly. Temporarily bolt the engine mount to the Firewall Assembly using this hole and the hardware called-out in Figure 1.

Align the engine mount with the second 3/16" hole in the top of the Firewall Assembly and final-drill this hole using the same bit. Keep the engine mount in place while drilling to help maintain the alignment of the bit. Secure the engine mount to the Firewall Assembly, then final-drill the remaining four holes. Place a bolt in the holes after each is drilled.

Step 2: Remove the WD-1001-D1 Engine Mount from the Firewall Assembly, deburr the holes in the Firewall Assembly, then permanently bolt the engine mount in place using the hardware called-out in Figure 1.

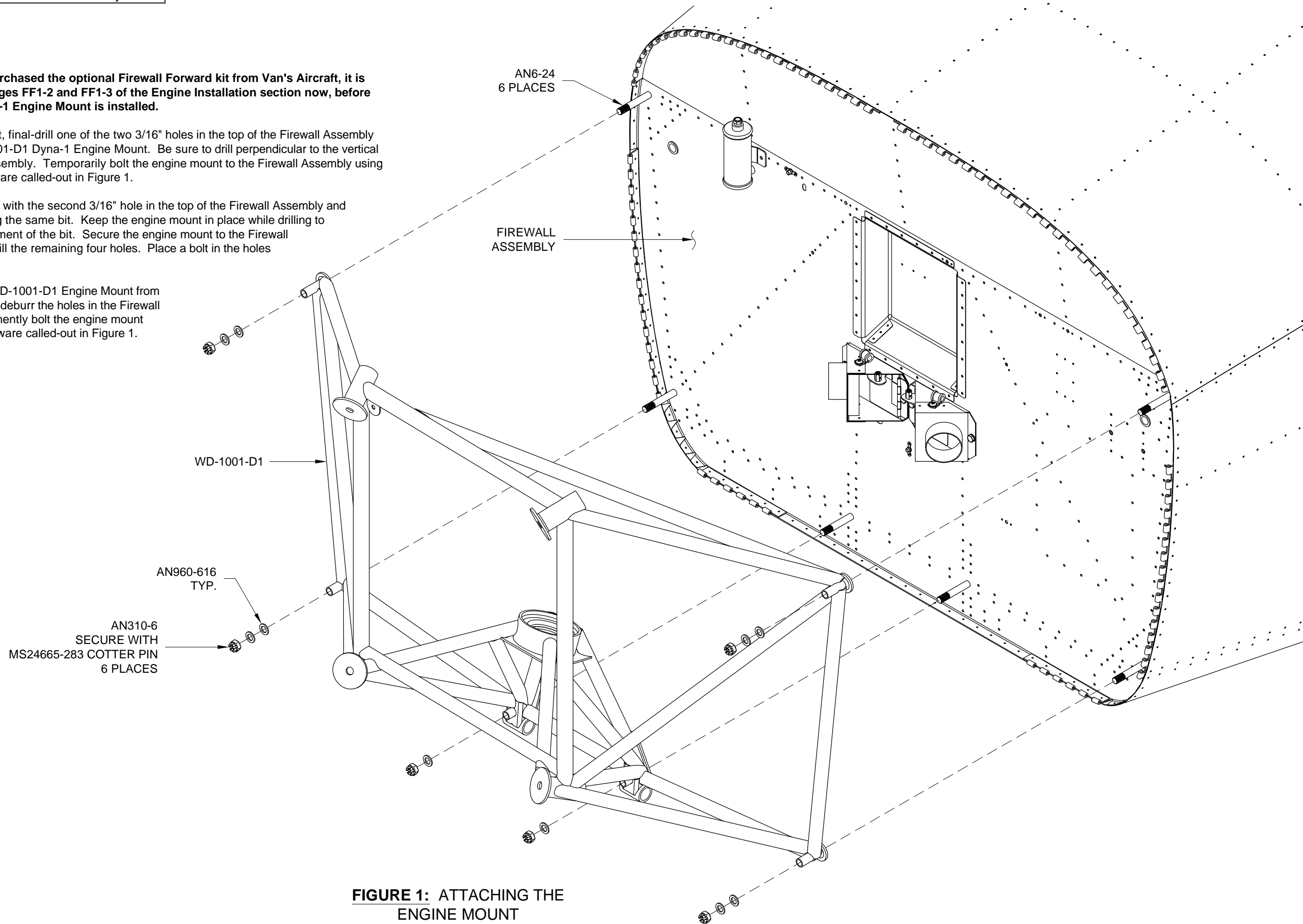


FIGURE 1: ATTACHING THE ENGINE MOUNT